

Thermo Scientific Barnstead Reverse Osmosis (RO) System

Series 1265-1266

Operating Manual and Parts List LT1265X1 Rev. 0



Models covered in this manual		
Model Number	Voltage	Liter/hour
D12651 (7155)	100-240V	12
D12661 (7156)	100-240V	24

MANUAL NUMBER LT1265X1 (7007155)

0	--	8/5/10	Transfer to Marietta (was LT1265X1 7/3/08)	ccs
REV	ECR/ECN	DATE	DESCRIPTION	By



Important Read this instruction manual. Failure to read, understand and follow the instructions in this manual may result in damage to the unit, injury to operating personnel, and poor equipment performance. ▲

Caution All internal adjustments and maintenance must be performed by qualified service personnel. ▲

Material in this manual is for information purposes only. The contents and the product it describes are subject to change without notice. Thermo Fisher Scientific makes no representations or warranties with respect to this manual. In no event shall Thermo be held liable for any damages, direct or incidental, arising out of or related to the use of this manual.

©2010 Thermo Fisher Scientific. All rights reserved.



Important operating and/or maintenance instructions. Read the accompanying text carefully.



Potential electrical hazards. Only qualified persons should perform procedures associated with this symbol.



Equipment being maintained or serviced must be turned off and locked off to prevent possible injury.



Hot surface(s) present which may cause burns to unprotected skin, or to materials which may be damaged by elevated temperatures.



Marking of electrical and electronic equipment, which applies to electrical and electronic equipment falling under the Directive 2002/96/EC (WEEE) and the equipment that has been put on the market after 13 August 2005.



This product is required to comply with the European Union's Waste Electrical & Electronic Equipment (WEEE) Directive 2002/96/EC. It is marked with the WEEE symbol. Thermo Fisher Scientific has contracted with one or more recycling/disposal companies in each EU Member State European Country, and this product should be disposed of or recycled through them. Further information on Thermo's compliance with this directive, the recyclers in your country and information on Thermo products will be available at www.thermofisher.com.

- ✓ Always use the proper protective equipment (clothing, gloves, goggles, etc.)
- ✓ Always dissipate extreme cold or heat and wear protective clothing.
- ✓ Always follow good hygiene practices.
- ✓ Each individual is responsible for his or her own safety.

Do You Need Information or Assistance on Thermo Scientific Products?

If you do, please contact us 8:00 a.m. to 6:00 p.m. (Eastern Time) at:

1-740-373-4763

1-800-438-4851

1-877-213-8051

<http://www.thermoscientific.com>

service.led.marietta@thermofisher.com

Direct

Toll Free, U.S. and Canada

FAX

Internet Worldwide Web Home Page

Service E-Mail Address

Our **Sales Support** staff can provide information on pricing and give you quotations. We can take your order and provide delivery information on major equipment items or make arrangements to have your local sales representative contact you. Our products are listed on the Internet and we can be contacted through our Internet home page.

Our **Service Support** staff can supply technical information about proper setup, operation or troubleshooting of your equipment. We can fill your needs for spare or replacement parts or provide you with on-site service. We can also provide you with a quotation on our Extended Warranty for your Thermo Scientific products.

Whatever Thermo Scientific products you need or use, we will be happy to discuss your applications. If you are experiencing technical problems, working together, we will help you locate the problem and, chances are, correct it yourself...over the telephone without a service call.

When more extensive service is necessary, we will assist you with direct factory trained technicians or a qualified service organization for on-the-spot repair. If your service need is covered by the warranty, we will arrange for the unit to be repaired at our expense and to your satisfaction.

Regardless of your needs, our professional telephone technicians are available to assist you Monday through Friday from 8:00 a.m. to 6:00 p.m. Eastern Time. Please contact us by telephone or fax. If you wish to write, our mailing address is:

Thermo Fisher Scientific
401 Millcreek Road, Box 649
Marietta, OH 45750

International customers, please contact your local Thermo Scientific distributor.

Table of Contents

Section 1	Safety Information	1-1
Section 2	Introduction	2-1
Section 3	Specifications	3-1
Section 4	Unpacking and Installation	4-1
	Choosing a Site	4-2
	Tubing Adapter Installation	4-3
	Tubing Installation	4-4
	Tubing Removal	4-5
	Quick Disconnect Fittings	4-5
	Wall Mounting	4-6
	Bench Mounting	4-6
	Cartridge / Membrane Installation	4-6
	MPS Cartridge Installation	4-7
	Prefilter Installation	4-7
	Membrane Installation	4-8
	Carbon Filter Installation	4-8
	Water Connections	4-10
	Product Water Connection	4-11
	Reject Water Connection	4-11
	Feed Water Connection	4-11
Section 5	Controls	5-1
	Control Panel	5-1
	Main Power Switch	5-1
	Electrical/Reservoir Connections	5-2
	Switches	5-2
	Install Control Panel in a Remote Location	5-3

Section 6	Initial Operation	6-1
	Initial Operation	6-1
	Electrical Connection	6-1
Section 7	Normal Operation	7-1
	Flushing Membrane- Manual 4 Min. Flush	7-1
	Resetting the Membrane Timer	7-2
	Resetting the Carbon Timer	7-2
	Standby Mode	7-3
	Pressure Gauges	7-3
	Low Pressure	7-4
Section 8	Maintenance	8-1
	Main Fuse Replacement	8-1
	Membrane Replacement	8-2
	MPS Replacement	8-3
	Prefilter Replacement	8-3
	Shutdown	8-4
	Carbon Replacement	8-4
Section 9	Troubleshooting	9-1
Section 10	Replacement Parts	10-1
	Consumables	10-1
	General Maintenance Parts	10-1
	Safety Stock	10-2
	Optional Accessory Ordering Information	10-2
	Flow Diagram	10-3
Section 11	Operating Log	11-1

Section 1 Safety Information

Your Thermo Scientific Barnstead Reverse Osmosis (RO) System has been designed with function, reliability, and safety in mind. It is your responsibility to install it in conformance with local electrical codes. This manual contains important operating and safety information. You must carefully read and understand the contents of this manual prior to the use of this equipment. For safe operation, pay attention to Notes, Cautions, and Warnings throughout the manual.

Water purification technology employs one or more of the following: chemicals, electrical devices, mercury vapor lamps, steam and heated vessels. Care should be taken when installing, operating or servicing Thermo Scientific products. The specific safety notes pertinent to this product are listed below.

Warnings

To avoid electrical shock, always:

1. Use a properly grounded electrical outlet of correct voltage and current handling capacity.
2. Do not locate the RO system directly over equipment that requires electrical service. Routine maintenance of this unit may involve water spillage and subsequent electrical shock hazard if improperly located.
3. Replace fuses with those of the same type and rating.
4. Disconnect from the power supply prior to maintenance and servicing.

To avoid personal injury:

1. Do not use in the presence of flammable or combustible materials; fire or explosion may result. This device contains components which may ignite such materials.
2. This device is to be used with potable water feeds only.
3. Refer servicing to qualified personnel.
4. Discard the RO membrane(s) product water for at least two hours during the initial operation. The membrane(s) contains a preservative solution to prevent microbiological growth.
5. If the equipment is used in a manner not specified by the manufacturer, protection provided by the equipment may be impaired.

Section 2 Introduction

Congratulations on your purchase of a Thermo Scientific Barnstead RO system. This unit is designed to provide reverse osmosis water for your lab or ultrapure water system. It uses a thin film composite membrane combined with three stages of pretreatment to produce reverse osmosis water.

Careful attention to the following instructions will assure that the system operates properly and produces water to specifications. Also, be sure to fill out and return the enclosed warranty registration card. We would like to receive the information requested, and it will help us assure you of proper warranty coverage.

Each unit requires a separate storage reservoir for automatic operation. Make sure you have an adequate storage reservoir before installing your Thermo Scientific Barnstead RO.

General Usage

Do not use this product for anything other than its intended usage.



Figure 2-1. Reverse Osmosis System - Front

Section 3 Specifications

Dimensions

Wall and Bench mounted models

Width	34.3 cm (13.5")
Depth	42.8 cm (16.9")
Height	49.5 cm (19.5")

Clearance Requirements

Sides22.9 cm (9") minimum for servicing.

Above7.6 cm (3") minimum for removal of the top cover.

Front 12.1 cm (4.75") minimum for opening the front door.

Cartridge and membrane replacement is easily accomplished upon opening the front and side doors.

Feed Water Requirements¹

Types¹Tap (Potable)

Turbidity1.0 N.T.U. maximum

Pressure Range 2 bar (30 psig) to 6.8 bar (100 psig) max.

Temperature Range1-35°C (34-95°F)

Inlet Flow Requirements100 lph (26.4 gph)

pH4-11 (6.5-7.5 optimum)

TDS800 (Max. ppm as CaCO₃)

Silt Density Index<5%

Free Chlorine<3 ppm

Langlier Saturation Index<1

Iron (Total as Fe)<0.5 ppm

Silica<30 ppm

¹Feed water suitability must be determined by a water analysis.

Product Water

<u>Model</u>	<u>Flow Rate²</u>	<u>Recovery²</u>
D12651	12 lph, ±15% (3.2 gph)	10-20%
D12661	24 lph, ±15% (6.3 gph)	20-30%

Membrane Performance ²

	<u>Rejection</u>
Inorganic (minimum)	>90%
Inorganic (typical)	>95%
Particles	>95%
Bacteria	>99%
Dissolved Organics (>100 MW)	>99%

² 500 ppm NaCl feedwater solution @ 25°C (77°F), @ 4.5 bar (65 psig), 10% recovery. Flow rate and recovery will decrease with lower water temperature. We recommend the use of a hot water mixing valve before the RO system for water cooler than 15°C (59°F).

Electrical Requirements

The Barnstead RO is equipped with a power cord to be plugged into an electrical outlet of the appropriate voltage.

Voltage and Frequency (Nominal)

Model D12651 . . .100-240VAC, 50/60 Hz, 1 phase

Model D12661 . . .100-240VAC, 50/60 Hz, 1 phase

Environmental Conditions

Operating: 4°C - 49°C; 20% to 80% relative humidity, non-condensing.

Installation Category II (over-voltage) in accordance with IEC 664.

Pollution Degree 2 in accordance with IEC 664.

Altitude limit: 3,500 meters.

Storage: -25°C to 65°C; 10% to 85% relative humidity.

Declaration of Conformity

We hereby declare under our sole responsibility that this product conforms with the technical requirements of the following standards:

EMC:

EN 61000-3-2 Limits for Harmonic Current Emissions

EN 61000-3-3 Limits for Voltage Fluctuations and Flicker

EN 61326-1 Electrical Equipment for Measurement, Control and Laboratory Use ; Part 1: General Requirements

Safety:

EN61010-1 Safety Requirements for Electrical Equipment for Measurement, Control, and Laboratory use; Part I: General Requirements

per the provisions of the Low Voltage Directive 2006/95/EC and the Electromagnetic Compatibility Directive 2004/108/EC.

Copies of the Declaration of Conformity are available upon request.

Section 4 Unpacking and Installation

1. Remove the unit from its shipping container. Remove all contents carefully.

Ensure the following parts are removed from the packaging materials before discarding.

- Membrane(s) (FL1265X1)
 - Prefilter (D502113)
 - Carbon Filter (D502115)
 - MPS cartridge (D502114)
 - Wall bracket (BC1190X12)
 - Parts bag with feed, product, and reject water tubes included with fittings.
 - Feed water assembly - TU1119X7
 - Product tube - TU550X5
 - Reject tube - TU1190X12
 - Elbow fittings - 03033-DB (3/8" tube x 1/4" NTPM)
 - PMX80 (3/8" tube x 3/8" NPTM)
 - Power cords
2. Put the RO system on a bench.

Choosing a Site

The Reverse Osmosis (RO) system features an optional remotable control panel display which allows the system to be mounted almost anywhere within the laboratory using accessory kit AY1265X1. Your RO system must be located within six feet of an electrical outlet appropriate for your unit, within ten feet of your feed water supply and within six feet of an atmospherically vented drain. If you are using the accessory 30 Liter Storage Reservoir (part number D12681), the reservoir must not be mounted farther than ten feet away from the RO system.

Use the wall bracket for wall mounted systems as a template to drill mounting holes. (The RO system does not include screws and fasteners for mounting.) Allow a minimum of 22.9 cm (9") clearance on all sides of the unit for servicing, 7.6 cm (3") on top for top cover removal and 12.1 cm (4.75") in front for opening the door.

Note It is important that the storage reservoir outlet to any Ultrapure system such as the NANOpure, be at the same level or higher than the inlet of the Ultrapure system. ▲

Caution Wall composition, condition and construction, as well as fastener type, must be considered when mounting this unit. The mounting surface and fasteners selected must be capable of supporting a minimum of 68 kg (150 lbs.) Inadequate support and/or fasteners may result in damage to mounting surface and/or equipment. If you are unsure of mounting surface composition, condition and construction or correct fasteners, consult your building maintenance group or contractor. ▲

Warning Do not locate the RO system directly over equipment requiring electrical service. Routine maintenance of this unit may involve water spillage and subsequent electrical shock hazard if improperly located. ▲

Warning Do not use in the presence of flammable or combustible materials; fire or explosion may result. The device contains components which may ignite such materials. ▲

Tubing Adapter Installation

The Thermo Scientific Barnstead RO utilizes two different types of fittings. Refer to the installation sections when necessary.

The following instructions will be needed when making connections at the inlet water supply, atmospheric drain and at a storage reservoir.

1. Completely disassemble the fitting. Refer to Figure 4-1 to familiarize yourself with the names of the component parts.
2. Make sure the tubing is cut off reasonably square and that no plastic burrs or ridges are present.
3. Place the grab ring and backup ring in the hex nut in the order and orientation shown in Figure 4-1. Thread the nut into the adapter. **DO NOT** use the o-ring at this time.
4. Push the tubing through the nut until it bottoms out on the adapter.
5. Remove the adapter nut and tubing. Place the o-ring over the tubing. Be careful not to push the backup ring or grab ring further back on the tubing when installing the o-ring.
6. Install the hex nut on the adapter and hand-tighten.

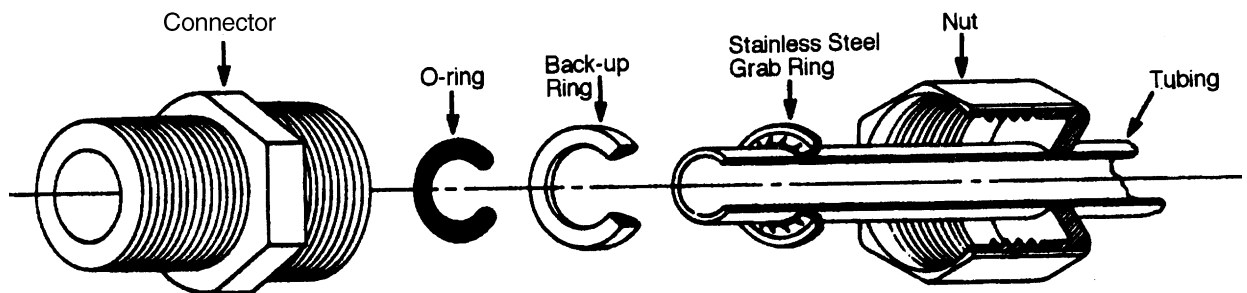


Figure 4-1. Tubing Adapter Installation

Note Figures 4-2 & 4-3 will be used at the membrane, as well as connections at product water outlet (to storage) and reject water (atmospheric drain).

Tubing Installation

The following instructions will apply when you need to install the membranes and to attach a piece of tubing to your Thermo Scientific RO during installation, unless otherwise noted in the installation instructions.

Note For easier insertion, wet the end of the tubing with water. ▲

To make tubing connections:

1. Make sure the tubing is cut off reasonably square and that no plastic burrs or ridges are present.

2. Mark from end of tube the length of insertion.

<u>Tube size</u>	<u>Insertion length</u>
1/4 O.D.	1.75 cm (11/16")
3/8 O.D.	1.9 cm (3/4")

3. Wet the tube end with water and insert tube straight into fitting until it bottoms out on interior shoulder and insertion mark is no longer visible.

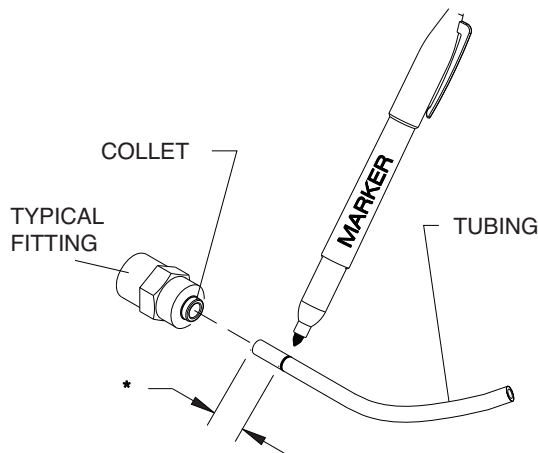


Figure 4-2. Mark Insertion Length

Tubing Removal

1. Using the tool provided, push the collet toward the body and pull on the tubing to release the tube.

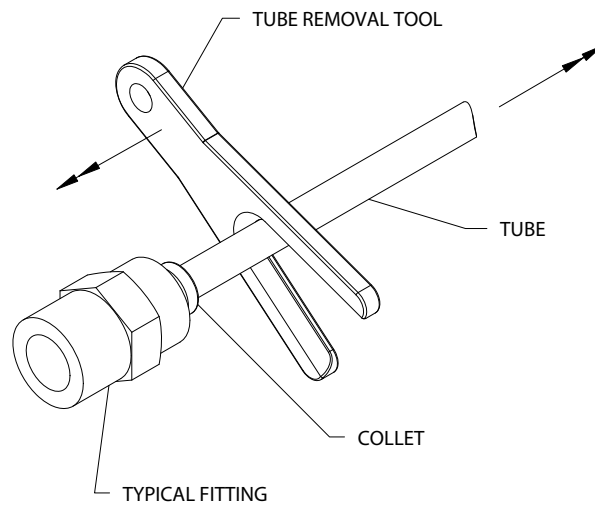


Figure 4-3. Tubing Removal

Quick Disconnect Fittings

These fittings are found on the prefilter, carbon and MPS cartridge, as well as the water inlet (see Figure 5). To insert the cartridges or inlet tubing:

1. Press on the metal thumbpad on the unit to ensure the fitting is open.
2. Insert male adapter into fitting until you hear a click. Gently pull on the cartridge or tubing to ensure it is secure.
3. To remove cartridges or tubing, press the metal thumbpad to release fitting and pull adapter out.

PUSH DOWN ON THUMBPAD TO RELEASE CONNECTOR.

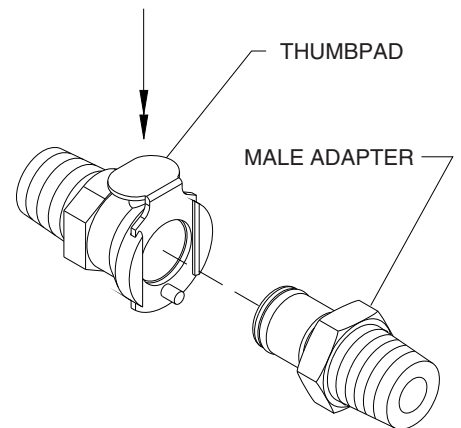


Figure 4-4. Quick Disconnect

Note Prior to installing the Barnstead RO on the wall or bench, it is recommended that all cartridges and membranes are installed. See the appropriate section of this manual for installation of cartridges and membranes. ▲

Bench Mounting

1. Place RO system on a bench top that is accessible to water, atmospheric drain and electricity, and that is convenient to your work area, noting clearance requirements.

Wall Mounting

Install the RO system on a wall in a convenient location that is accessible to water, atmospheric drain and electricity.

1. Locate the wall bracket packed separately from the unit.
2. Using the wall bracket as a template, locate and drill the mounting holes in the wall. A minimum of four (customer-supplied) fasteners will be required - two on the top and two on the bottom.
3. Attach the wall bracket to the wall using the customer-supplied fasteners.
4. Remove the locking screws on each side of the wall bracket.
5. Pull the two locking slides on each side of the wall bracket out as far as they will go.
6. Hang the RO unit on the wall bracket by sliding the mounting pins into the wall bracket slots.
7. Push the locking slides on each side of the wall bracket in as far as they will go.
8. Replace the locking screws.

Cartridge / Membrane Installation

Your Barnstead RO system has been shipped with a prefilter, carbon filter, MPS cartridge and one membrane (for 12 lph unit) or two membranes (for 24 lph unit), that you will install. To prepare your RO system for operation, disconnect the unit from the power supply if connected.

Note Figure 4-5 shows correct sequence of prefilter, MPS and carbon filters. Cartridges must be installed in correct order to operate properly. ▲

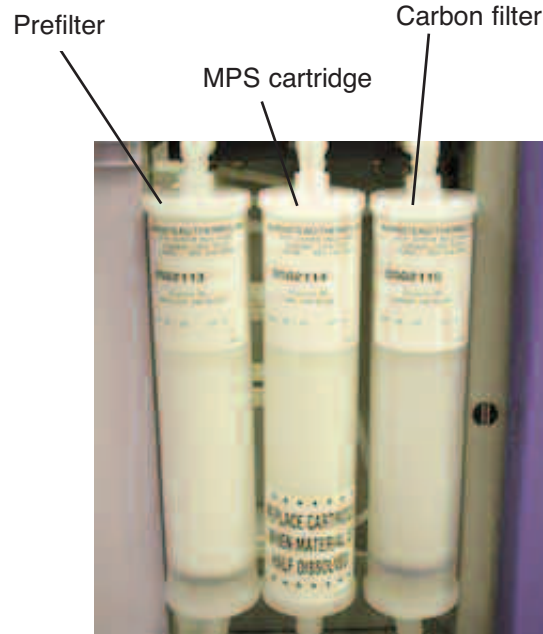


Figure 4-5. Cartridge Installation

Prefilter Installation

Particulates can damage your membranes, resulting in premature membrane failure. Therefore, your RO system uses a prefilter to remove particulates from your feed water. Install the prefilter as follows:

1. Open the front left door.
2. Remove the prefilter (part number D502113) from its packaging and wet the o-rings with water.
3. Insert the prefilter straight into the left position upper and lower quick disconnects and push until firmly connected. For easier installation, connect bottom first.

MPS Cartridge Installation

The MPS cartridge contains a slow dissolving anti-scalant material. The anti-scalant material combines with water to prevent scale buildup on the membrane surface.

Note It will be important to replace the MPS cartridge once the material is half dissolved. ▲

Install the MPS cartridge as follows:

MPS Cartridge Installation (continued)

1. Remove the MPS cartridge (part number D502114) from its packaging and wet the o-ring with water.
2. Insert the MPS cartridge straight into the middle position upper and lower quick disconnects and push until firmly connected. For easier installation, connect bottom first.

Carbon Filter Installation

Chlorine can also damage your membranes, resulting in premature membrane failure. Therefore, your RO system uses an extruded carbon filter to remove chlorine from your feed water. Install the carbon filter as follows:

1. Remove the carbon filter (part number D502115) from its packaging and wet the o-rings with water.
2. Insert the carbon filter straight into the right position upper and lower quick disconnect and push until firmly connected. For easier installation, connect bottom first.



Figure 4-6. Pre-Installation

Membrane Installation

12 LITER/HOUR UNITS (1 MEMBRANE)

1. Remove the RO membrane from its packaging. Note the location of the FEED, PRODUCT, and REJECT connections on the housing. The correct orientation for the installed membrane will be vertical with the FEED connection down.
2. Open the left side door on the RO system.
3. Locate the three unconnected tubes labeled FEED, PRODUCT, and REJECT. Refer to tubing installation and mark tubing 1.75 cm (11/16") from end.
4. Note the orientation of the membrane housing and install the

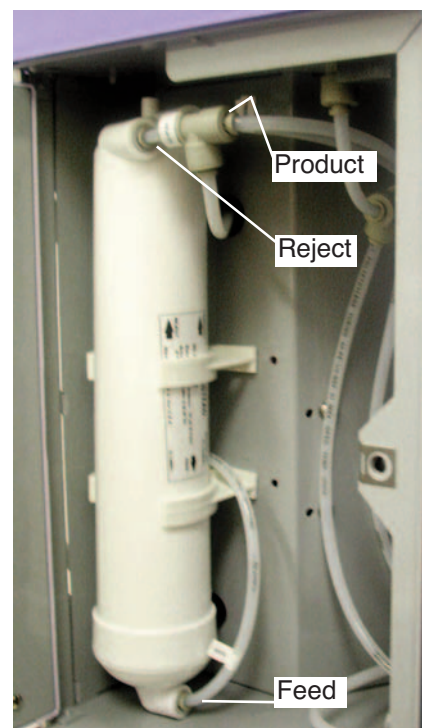


Figure 4-7. Membrane Installation

Membrane Installation (continued)

unconnected tubes into the corresponding connectors on the membrane housing. To do so, first wet the tube end with water and push the tube end firmly into the connector. Start with the FEED followed by the PRODUCT and finally the REJECT.

5. Note the orientation of the membrane housing and press the housing into the two holding clips.
6. The door can remain open until the unit has been operating and you checked for possible water leaks at the membrane connections.

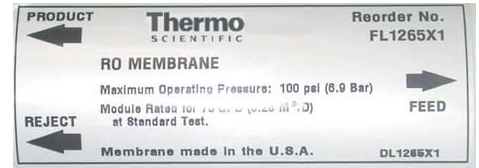


Figure 4-8. Membrane Housing Label

24 LITER/HOUR UNITS (2 MEMBRANES)

1. Remove the RO membranes from their packaging. Note the location of the FEED, PRODUCT, and REJECT connections on the housing. The correct orientation for the installed membrane will be vertical with the FEED connection down.
2. Open the RO left side door.
3. Locate the six unconnected tubes labeled FEED1, FEED2, PRODUCT, PRODUCT, REJECT1 and REJECT2. Refer to tubing installation and mark the tubing 1.75 cm (11/16") from end.



Figure 4-9. Double Membrane Pre-Installation

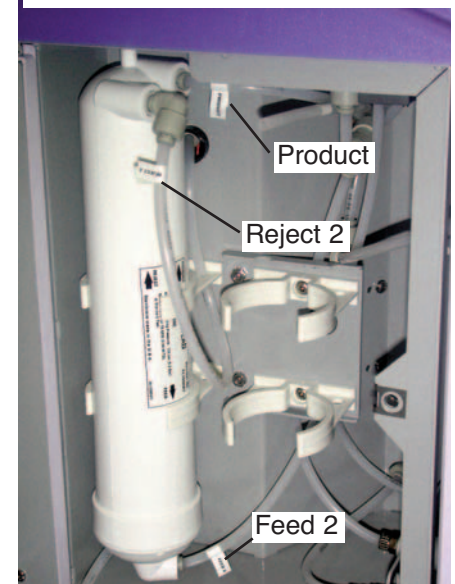


Figure 4-10. Double Membrane Installation

Membrane Installation (continued)

4. Note the orientation of the membrane housing and install the unconnected tubes into the corresponding connectors on the membrane housing. To do so, first wet the tube end with water and push the tube end firmly into the connector. Start with the FEED2 followed by one of the PRODUCT and finally the REJECT2. Note the orientation of the membrane housing and press the housing into the left set of holding clips. Repeat the procedure for the second membrane with FEED1 followed by the remaining PRODUCT and REJECT1. Note the orientation of the membrane housing and press the housing into the right set of holding clips.
5. The door can remain open until the unit has been operating and you checked for possible water leaks at the membrane connections.

Water Connections

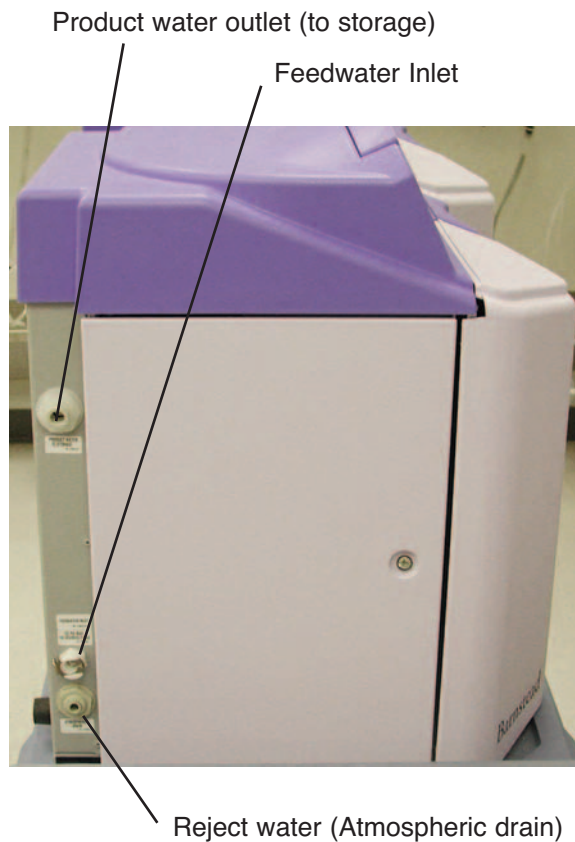


Figure 4-11. Water Connections

Feed Water Connection

1. Locate the length of .95 cm (3/8") O.D. tubing provided with a quick disconnect insert on one end and a 0.95 cm (3/8") O.D. x 0.64 cm (1/4") NPT tubing adapter on the other.
2. Install the tubing adapter onto your incoming water line. Refer to tubing installation. We recommend a customer supplied shutoff valve be installed in your feed water line. The quick disconnect insert will be inserted into the feed water inlet on the lower left side of the RO system during the Initial Operation.

Reject Water Connection

1. Locate the reject water tubing. This is the piece of 0.64 cm (1/4") O.D. tubing that has a 0.64 cm (1/4") O.D. x 0.64 cm (1/4") NPT tubing adapter attached to one end.
2. Install the tubing adapter into your atmospheric drain and route the other end to the RO atmospheric drain connector. Mark the tubing per tube installation. Wet the tube end with water and firmly push to install into connector.

Product Water Connection

1. Locate the .95 cm (3/8") O.D. tubing without connectors attached, mark the tubing per tube installation, wet the tube end with water and install into the product water to storage connector firmly. Then route the other end of the tubing to drain. Temporary until membrane flush is completed.

Note Do not connect the product water tubing to a storage reservoir until the startup membrane flush procedure has been performed on the RO. ▲

Section 5 Controls

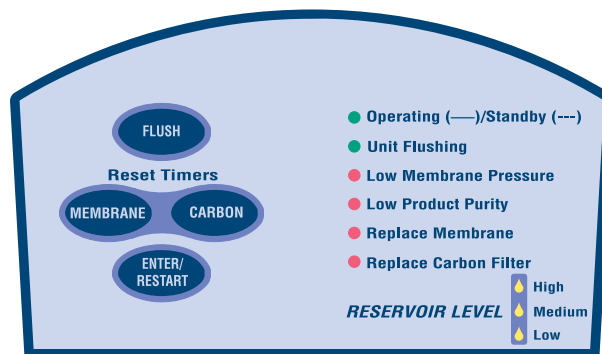


Figure 5-1. Control Panel

Main Power Switch

The main power switch on the Barnstead RO is located on the lower right side of the unit (as you face the front of the unit). This switch should be turned off when any maintenance is to be done on the unit.

Control Panel

The RO system is controlled through a re-locatable panel that incorporates four switches to control various functions: ENTER/RESTART, FLUSH, MEMBRANE timer reset and CARBON timer reset.

9 LEDs illuminate to provide system operational status as follows:

- Operating/Standby: Solid on if the system is running. Slow blink if the system is in Standby.
- Unit Flushing: Solid on indicates the system is currently flushing.
- Low Membrane Pressure: Solid on indicates the pressure against the RO membrane(s) is lower than expected. Slow blink if low pressure has exceeded 15 minutes of continuous operation.
- Low Product Purity: Solid on indicates the % rejection between incoming water and product water is lower than expected. Factory set at 75% rejection.
- Replace Membrane: Solid on when the operational time of the membrane(s) have been in use for over 12 months.

Control Panel (continued)

- Replace Carbon Filter: Solid on when the operational time for the filter has exceeded its useful life.
- 3 Reservoir LEDS: Provides an indication of the level of product water in the storage reservoir.

Note When using reservoirs other than Model D12681, the “low” reservoir LED will never illuminate. ▲

Switches

When the main power switch (on the lower right side of the unit) is on, the 4 switches on the control panel function as follows.

Note The black protective cover on the remote display connector should remain in place when the display is not remotely located.

FLUSH (followed by ENTER/RESTART) places the unit into a 4-minute flush.

MEMBRANE (followed by ENTER/RESTART) resets the membrane operational timer to zero.

CARBON (followed by ENTER/RESTART) resets the carbon operational timer to zero.

ENTER/RESTART is used to select an operation, or restart the unit if it is in standby mode and reservoir high LED is not illuminated. This key is also used to restart the unit if it has shut down due to an extended low membrane pressure condition.



Figure 5-2. Power Switch
I = ON, O = Off

Electrical/Reservoir Connections

RESERVOIR CONNECTION

Utilized with 30 liter reservoir - D12681

REMOTE DISPLAY

Utilized when control panel is installed in a remote location.

ALTERNATE RESERVOIR CONNECTION

Black jumper plug must remain in place unless either a 60 liter, 100 liter or other Thermo Scientific reservoir is being installed.

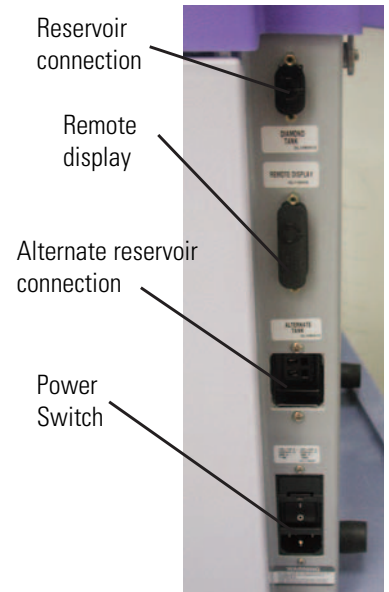


Figure 5-3. Cable Connections

Install Control Panel in a Remote Location

For your convenience, the control panel can be removed from the unit and mounted at a location within 3.1 m (10 ft.) of the unit, with accessory kit AY1265X1. To remove the control panel from the unit:

1. Turn the unit OFF and disconnect it from the power supply.
2. Slide the control panel upward about 0.64 cm (1/4") to 0.95 cm (3/8") - just enough to clear connector on top cover, pull forward, and remove. (The control panel fits tightly in the unit so it may be difficult to remove. It may be necessary to use a flathead screwdriver and gently pry up.)
3. Replace the control panel with the blank panel provided with the accessory kit to protect the electrical connector.
4. After selecting a convenient location, use the wall bracket as a template, locate and drill the mounting holes in the wall. A minimum of two (customer-supplied) fasteners will be required. Attach the wall bracket to the wall using the customer-supplied fasteners.
5. Locate the 25-pin connector on the right side of the unit. Remove the protective black plastic cover and store it for future use if the control panel is returned to the top cover.
6. Locate the 3.1 m (10 ft.) 25 pin M-F cable provided with the accessory kit; attach the female end to the 25 pin connector on the back top right of the unit, and the other end to the connector on the bottom of the control panel.
7. Tighten the cable screws on each end to secure the cable to the unit and control panel.
8. The control panel may now be mounted on the wall bracket installed in Step 4.

Note The removable control panel was not designed to be repeatedly removed from the unit, therefore, you may experience difficulty when attempting to remove it. It is recommended that the control panel be permanently mounted in a remote location or remain intact with unit. ▲

Caution Repeated removal and replacement of the control panel from the top cover may eventually cause it to become damaged. ▲

Note The black protective cover on the remote display connector should remain in place when the display is not remotely located. ▲

Install Control Panel in Remote Loc. (cont.)

Figure 5-4. Blank Panel



Figure 5-5. Wall Mount
Bracket



Figure 5-6. Remote
Display

Section 6 Initial Operation

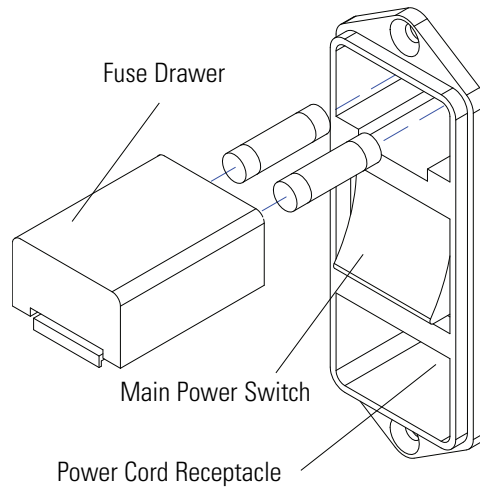


Figure 6-1. Electrical Connection

Electrical Connection

A 120V power cord with (2) 1.6 amp fuses and 240V power cords with (2) 0.63 amp fuses are provided with the unit. Choose the cord that applies to you.

The RO system is not shipped with fuses installed in the fuse draw of the power entry module. Before connecting the power cord to the power entry module, select the appropriate cord with fuses and install the proper fuses in the fuse draw. Refer to the Figure 6-1 above.

Check to be sure main power switch is in the Off position and install the power cord into the power entry module and into a properly grounded electrical outlet.

Initial Operation

1. During initial operation, be sure Product Water Storage tubing is temporarily routed to drain for proper rinsing of RO membrane.
2. Connect water supply to unit by inserting the quick disconnect into the feed water inlet on the lower left side of the RO (see Figure 4-11.) Turn on main water supply. Turn the system power On by depressing the Main Power Switch to the "I" position. The 9 LEDs will sequentially flash, testing the LEDs to make sure they are not burned out.

Initial Operation (continued)

3. The Operating/Standby, replace membrane and replace carbon filter LEDs will turn solid on. The first 30 seconds the inlet and flush solenoid valves open and water moves through the system. The next 30 seconds the pump also operates. After the first minute the flush valve will close and the unit will operate normally and produce product water.
4. Reset the membrane and carbon timers. See Section 7.
5. Membrane Rinse - Allow the unit to operate and send water to drain for a minimum of two hours. This will rinse the membrane(s) of its preservatives. It is possible that during this time the “Low Product Purity” LED may illuminate.
6. It is recommended that prior to connecting product water tubing to storage reservoir, the flowrate be measured and recorded in the operating log (at the end of this manual) along with the other operation data.
7. After the membrane rinse, the unit can be shut down and the product water tubing can be connected to the storage reservoir. Two elbow adapters are provided to allow the RO system to be connected to various reservoirs. Refer to the storage reservoir manual.
8. Connect float cable, check for leaks, etc.

Warning This device is to be used with potable water feeds only. ▲

Use a properly grounded electrical outlet of correct voltage and current handling capacity.

Discard the RO membrane(s) product water for at least two hours during the initial operation. The membrane(s) contains a preservative solution to prevent microbiological growth.

Section 7 Normal Operation

Below is a brief description of the normal automatic operation of the RO system. If the unit does not operate as described below, refer to the troubleshooting guide.

When you activate the main power switch, the following events will occur:

1. All LEDs will sequentially flash, to indicate that they work.
2. After approximately 5 seconds, the solenoid valves are energized. The inlet valve opens, supplying the RO with water. The flush valve also opens, diverting the water to drain.
3. After approximately 30 seconds, the pump energizes. The majority of the water produced goes to drain.
4. After 30 seconds, the flush solenoid valve closes and the RO system begins making product water and sending it to the storage reservoir.
5. The microprocessor tracks operating time and at a pre-selected interval illuminates the “replace carbon filter” light, signifying that the carbon filter should be replaced.
6. When the reservoir is full and the RO system is in standby mode, a clock is activated, which energizes the RO for 4 minutes every 3 hours and 56 minutes. This ensures that water will not stagnate on the membrane surface. The majority of the water produced during this 4 minute cycle will divert to the drain.

Flushing Membrane- Manual 4 Min. Flush

1. Press the “FLUSH” button on the control panel.
2. The “Unit Flushing” LED light will begin blinking.

Note The RO system flushes automatically in Standby for 4 minutes, after 3 hours and 56 minutes in Standby (reservoir full). This prevents stagnant water from damaging the membrane. A flush can also be initiated manually. ▲

Flushing Membrane- 4 Min. Flush (cont.)

3. Press the “ENTER/RESTART” button while the “Unit Flushing” LED light is blinking.
4. While the unit is flushing, the “UNIT FLUSHING” and “OPERATING/STBY” LED lights will remain lit and the membrane pressure will drop.
5. The flush can be terminated at any time by pressing the Flush button.

Resetting the Carbon Timer

The red “Replace Carbon Filter” light on your control panel illuminates when it is time to replace the carbon filter. This light illuminates after the operation time reaches the chlorine level set point.

Note Sustained exposure to high chlorine levels can damage the RO membrane(s). It is highly recommended to replace the carbon filter when indicated by the “Replace Carbon Filter” LED. ▲

1. Press the “CARBON” button on the control panel.
2. Press the “ENTER/RESTART” button while the “Replace Carbon Filter” LED light is blinking to reset the carbon timer.

Resetting the Membrane Timer

The red “Replace Membrane” light on your control panel illuminates when it is time to replace the membrane. The membrane light illuminates after approximately 12 months of use.

1. Press the “MEMBRANE” button on the control panel.
2. The “Replace Membrane” LED light will begin blinking.
3. Press the “ENTER/RESTART” button while the “Replace Membrane” LED light is blinking to reset the membrane timer.

Pressure Gauges

There are 4 pressure gauges on the Barnstead RO. The functions of the gauges are to provide you the necessary information, to monitor system performance as well as when certain maintenance procedures should be accomplished. The pressure gauges are located in the inside of the right front door. The 4 gauge functions are as follows:

1. Prefilter Inlet—Provides you with incoming water pressure and is used in conjunction with the prefilter outlet gauge to determine when it is time to change the prefilter.
2. Prefilter Outlet—Provides the pressure reading of the water exiting the prefilter. If there is a 5 psig pressure differential between this reading and the prefilter inlet reading, or if there are visible particulates in the second position, MPS filter, the prefilter should be replaced.
3. Carbon Outlet—Provides the pressure reading of the water exiting the carbon cartridge. If there is a 10 psig pressure differential between this reading and the prefilter outlet reading, the carbon filter should be replaced. The carbon filter should also be replaced when the “Replace Carbon Filter” LED illuminates.
4. Membrane Pressure—Provides a reading of the membrane pressure. The gauge should read 55 psig, ± 5 psig, during normal operation.

Standby Mode

When the water level reaches the top float of the Storage Reservoir or other reservoirs with properly configured float switches, the RO unit goes into standby. The display's green “Operating/Standby” LED light will blink when the storage reservoir is full, indicating the unit is in standby. If the unit is idle for 3 hours 56 minutes during the “Standby Mode,” the unit automatically performs a 4-minute membrane flush. The display's green “Unit Flushing” LED light will be lit during this time. When the water level falls below the middle float in the 30 liter storage reservoir or lower float in the 100 liter reservoir or other auxiliary reservoir, the RO resumes normal automatic operation. Pressing the ENTER/RESTART button when the unit is in Standby and the Reservoir High LED is not lit will cause the unit to enter operating mode.

Note The RO system is designed to be energized at all times. Do not turn off the RO during nonwork hours. Doing so will allow bacterial growth and may damage the RO membrane(s). ▲

Section 7

Normal Operation

Low Pressure

The display's red "Low Membrane Pressure" LED lights when the system pressure against the membrane(s) is low. After 15 minutes, if the pressure is still low, the inlet solenoid and pump will turn off and the red "Low Membrane Pressure" LED will blink. You then need to check your inlet water line. See troubleshooting section of this manual. Pressing "Enter/Start" will reset the timer and restart the unit for an additional 15 minutes - providing time to check pressure gauges, etc.

Section 8 Maintenance

Wipe exterior surfaces with lightly dampened cloth containing mild soap solution.

Main Fuse Replacement

Warning Disconnect from the power supply prior to maintenance and servicing. Refer servicing to qualified personnel. ▲

Warning

To avoid electrical shock, always:

- Use a properly grounded electrical outlet of correct voltage and current handling capacity.
- Do not locate the RO system over equipment that requires electrical service. Routing maintenance of this unit may involve water spillage and subsequent electrical shock hazard if improperly located.
- Replace fuses with those of the same type and rating.
- Disconnect from power supply prior to maintenance and servicing. ▲

1. Turn off the Barnstead RO system and disconnect it from the power supply by removing the power cord directly below the I/O switch. Locate the fuse drawer above the power cord receptacle.
2. Pull out the fuse drawer located in the power entry module.
3. Remove old fuses and replace with fuses of the same type and rating. See Parts List.
4. Replace fuse drawer.
5. Reattach the power cord and reconnect the unit to the power supply.
6. Operate normally.

Membrane Replacement

A variety of factors will determine the service life of the RO membrane(s). With proper maintenance and monitoring the membrane should last a minimum of 1 year. To replace the membrane, ensure that the power and water are disconnected from the unit. Have a container ready as the membrane will have water inside.

Warning Discard the RO product water with a new membrane(s), for at least two hours during the initial operation. The membrane(s) contains a preservative solution to prevent microbiological growth. ▲

1. It may be helpful to completely replace the membranes one at a time. **Ensure that you note which tubing is used for the front membrane and rear membrane if you are replacing two membranes.** Remove the old membrane(s) by disconnecting the reject and product tubing from the top of the membrane and the feed water connection from the bottom. See “Tubing Removal” instructions.
2. Install the new membrane(s) by following the “Membrane Installation” section of this manual.
3. Disconnect the product to storage tubing at the reservoir and route to drain.
4. Membrane Rinse- Restart unit and allow it to operate and send water to drain for a minimum of two hours. This will rinse the membrane(s) of its preservatives. It is possible that during this time the “Low Product Purity” LED may illuminate.
5. It is recommended that prior to connecting product water tubing to the storage reservoir, the flowrate be measured and recorded in the operating log (at then end of this manual).
6. After the membrane rinse, the unit can be shut down and the product water tubing can be connected to the storage reservoir, connect float cable, check for leaks, etc.
7. Reset the membrane timer by following the “Resetting the Membrane Timer” section of this manual.

Prefilter Replacement

The prefilter incorporated in your RO is designed to remove particles from your incoming water source. It is impossible to predict expected life. It is recommended that the prefilter be replaced when the pressure differential across the prefilter reaches 5 psig or if there are visible particles in the second position MPS cartridge. The pressure is displayed on the pressure gauges located on the inside of the RO system right front door. The differential represents the difference between the prefilter inlet and the prefilter outlet. To replace the prefilter, ensure that all power and water are disconnected from the unit.

1. Remove the prefilter by first pressing the upper and lower thumb buttons on the quick disconnects.
2. Remove the prefilter by pulling the cartridge straight out.
3. Replace the prefilter by following the instructions located in the “Prefilter Installation” section of this manual.

MPS Replacement

The MPS cartridge incorporated in your RO system is designed to prevent scale buildup on the membrane(s). This cartridge must be replaced when the anti-scalant level is approximately half dissolved. At this point, the quantity of anti-scalant entering the water is insufficient to effectively prevent scale accumulation on the membrane(s). To replace the MPS cartridge, ensure that all power and water are disconnected from the unit.

1. Remove the MPS cartridge by pressing the upper and lower thumb buttons on the quick disconnect fittings.
2. Remove the MPS cartridge by pulling the cartridge straight out.
3. Replace the MPS cartridge by following the instructions located in the “MPS Cartridge Installation” section of this manual.

Carbon Replacement

The carbon filter incorporated in your RO system provides a combination of filtration and chlorine removal. There is a timer built into the RO which will alert you when the carbon requires replacement. When the “Replace Carbon Filter” light illuminates, the carbon filter must be replaced. To replace the carbon filter, ensure that all power and water are disconnected from the unit.

1. Remove the carbon filter by first pressing the upper and lower thumb buttons on the quick disconnect.
2. Remove the carbon filter by pulling the cartridge straight out.
3. Replace the carbon filter by following the instructions located in the “Carbon Filter Installation” section of this manual.
4. Reset the carbon timer by following the “Resetting the Carbon Timer” section of this manual.

Shutdown

If the RO system is to be shut down for an extended period of time, the unit should be completely drained and the cartridges and membrane(s) removed to prevent the growth of bacteria.

Section 9 Troubleshooting

Problem/Symptom	Possible Causes	Solutions
RO completely inactive (controls not operating and no LEDs illuminated).	No electrical power to RO	Ensure RO power cord is installed and connected to live power
	Blown Power Entry Fuses	Check/replace fuses. (Refer to fuse replacement for procedure.)
	Display not connected or remote display cable is loose.	Check display connection
	Power Supply fuse blown	Replace fuse AZ9027
No quantity of water flowing and "Low Membrane Pressure" red LED illuminated solid or blinking. (Note: If LED blinking, pressing "ENTER/RESTART" will restart system long enough to troubleshoot and check cartridges and gauges.)	Feedwater supply valve closed	Open feedwater supply valve
	Quick disconnect for feedwater not inserted fully	Reinsert quick disconnect on feed water into unit
	Prefilter or carbon filter plugged	Replace prefilter or carbon filter
	Inlet solenoid valve not open	Replace inlet solenoid (RY1265X2)
	Feed pressure below specification	Increase feedwater pressure
Low quantity of water flowing and "Low Membrane Pressure" red LED illuminated solid.	Prefilter plugged	Replace Prefilter
	Carbon filter plugged	Replace Carbon Filter
	Feed pressure below specification	Increase feed water pressure
Product water is being produced, but no water is exiting out the atmospheric drain connection.	Flush solenoid plugged	Perform system flush (refer to "Flushing the Membrane or Membranes" section)
"Membrane Pressure" gauge displaying good pressures, but other gauges are showing 0 or less than zero.	Prefilter plugged	Replace prefilter
	Carbon filter plugged	Replace carbon filter
Decrease in system productivity.	Decrease in feedwater temperature	If flowrate is unacceptable, install hot/cold water mixing valve (D7427) to elevate temperature.
	Membrane(s) fouled	Replace membrane(s)
	Low feedwater pressure	Ensure prefilter is not blocked
		Increase feedwater pressure
	Low membrane operating pressure (will be accompanied by "Low Membrane Pressure" LED)	Refer to troubleshooting of "Low or no quantity water flowing" items.

Section 9
Troubleshooting

Problem/Symptom	Possible Causes	Solutions
A pressure gauge is not displaying or never changes pressure readings. (Other gauges do change and properly display system pressures.)	Gauge is bad	Verify by shutting down system and temporarily exchanging pressure gauge feed tube with an adjacent tube. Restart system: If problem moved with gauge - replace gauge (MEX196). Be sure to change tubing back to original configuration.
"Low Product Purity" red LED illuminated solid ON	Improperly installed membrane	Ensure membrane(s) is installed properly.
	Fouled membrane	Compare feedwater and product water T.I.S. (total ionized solids) If % rejection is less than 75%, replace membrane(s).
	Faulty PCB (ME1265X1)	Replace PCB ME1265X1
	Air bubbles on conductivity probe	Perform system flush
"Low Product Purity" red LED illuminating blinking ON.	Faulty PCB (ME1265X1) Circuit Board	Cycle system power
		Replace PCB ME1265X1
Unit is not operating and the Control Panel Reservoir LEDs are blinking.	Reservoir tank floats are feeding back conflicting level indications.	Check to ensure reservoir floats are not stuck.
		Verify float orientation (not required with tank float stick assembly.)
Leaks at membrane fittings, reject or product water fittings.	Burr on tubing	Remove tubing as shown in tubing removal. Check tubing for burrs. Mark tubing and install per Tubing Installation section.
	Tubing not installed in fitting completely	

Section 10 Replacement Parts

Consumables

Consumable parts are those required to support the day-to-day operation of this equipment. We established two types of consumables; those items that must periodically be replaced to maintain performance (filters, resin cartridges, etc.) and other items of limited life (indicator lights, fuses, etc.) that you can expect to replace on a more or less random basis. Where practical, we recommend the frequency of replacement, or provides information on life expectancy from which you may calculate a replacement interval compatible with your usage pattern.

The replacement of consumable parts is discussed in the Maintenance and Servicing section to assist you in accomplishing your own service.

Description	Catalog No.	Recommended Quantity
Prefilter	D502113	6
Carbon Filter	D502115	6
MPS Cartridge	D502114	3
Mains Fuse, 120V/100V - Slow Blow, 1.6 Amp, 250 Volt	FZX47	2
Main Fuse, 230V - Type T Time-Lag, 0.63 Amp, 250 Volt	FZX54	2

General Maintenance Parts

General maintenance parts are defined as laboratory level repair parts which do not require great expertise or special tools for installation. We recommend that you stock the general maintenance parts as an aid to ensuring the continued operation of this equipment.

Description	Catalog No.	Recommended Quantity
Membrane, 12 l/hr	FL1265X1	1
Quick Disconnect Inlet	CUX11	1
Quick Disconnect Insert 3/8" tube	CUX9	1

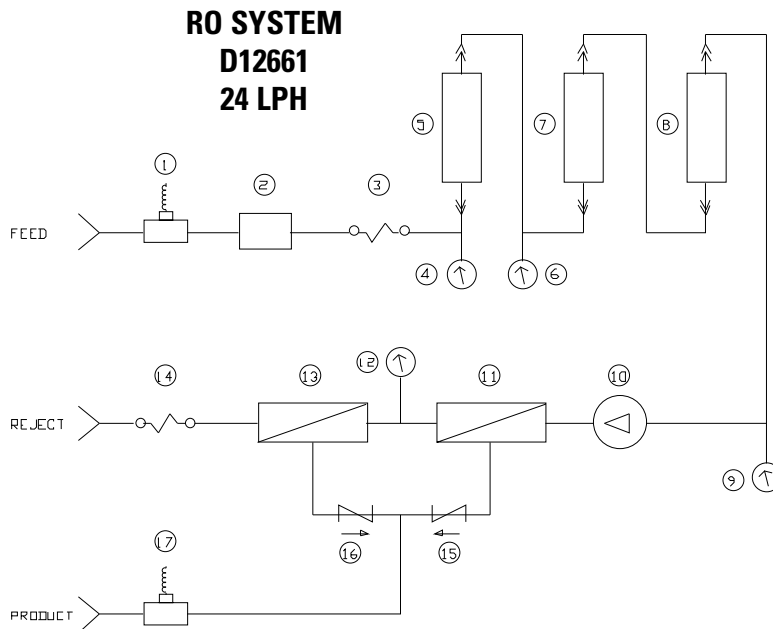
Safety Stock

For critical applications where performance with minimum downtime is required, we recommend that you maintain a local stock of those parts listed in the General Maintenance Parts and Safety Stock sections.

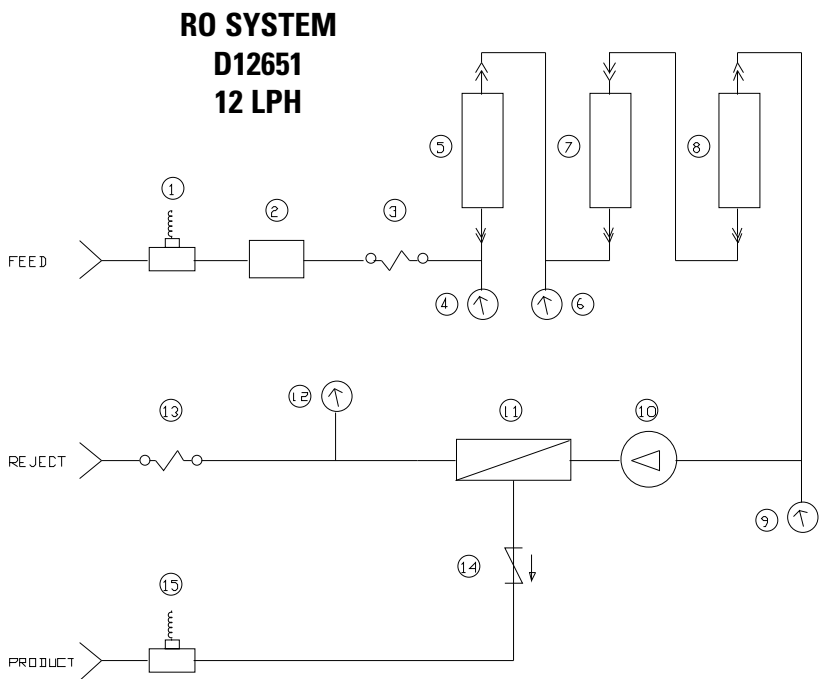
Description	Catalog No.	Recommended Quantity
Pump	PU1265X1	1
Main PC Board	PC1265X1	1
Inlet Solenoid Valve	RY1265X2	1
Reject Solenoid Valve	RY1265X1	1
Pressure Reducing Valve	PM1265X1	1
Pressure Gauge	MEX196	4
Meter PC Board w/probes	ME1265X1	1
Power Supply Fuse, 3.15 Amp, 250V, Type F	AZ9027	1
Jumper Plug, Alternate Tank	CE1265X2	1

Optional Accessory Ordering Information

Description	Catalog No.
30L Barnstead Storage Tank (wall mount)	D12681
Bench Mount Kit for Barnstead Tank	AY1268X2
Display Remote Mounting Kit	AY1265X1
Hot/Cold Mixing Valve	D7427



- 1) Feed comparator cell
- 2) Pressure reducing valve
- 3) Feedwater inlet solenoid
- 4) Pressure gauge
- 5) Prefilter cartridge
- 6) Pressure gauge
- 7) MPS cartridge
- 8) Carbon filter cartridge
- 9) Pressure gauge
- 10) Pump
- 11) Membrane
- 12) Pressure gauge
- 13) Membrane
- 14) Reject solenoid
- 15) Check valve
- 16) Check valve
- 17) Product comparator cell



- 1) Feed comparator cell
- 2) Pressure reducing valve
- 3) Feedwater inlet solenoid
- 4) Pressure gauge
- 5) Prefilter cartridge
- 6) Pressure gauge
- 7) MPS cartridge
- 8) Carbon filter cartridge
- 9) Pressure gauge
- 10) Pump
- 11) Membrane
- 12) Pressure gauge
- 13) Reject solenoid
- 14) Check valve
- 15) Product comparator cell

Operating Log

To ensure the RO system is working properly, the following operating parameters should be recorded monthly.

	Initial Start-Up							
Date and Time								
Feed Water Temperature								
Product Water Flowrate								
Reject Water Flowrate								
Pressure Prefilter Inlet								
Pressure Prefilter Outlet								
Pressure Carbon Outlet								
Membrane Pressure								

Thermo Fisher Scientific
401 Millcreek Road
Marietta, Ohio 45750
United States

www.thermofisher.com

ThermoFisher
S C I E N T I F I C